



# RAMPART IC M1128

PROTECT YOURSELF,  
YOUR TEAM,  
AND YOUR CAREER.

## LEAD-FREE TEAM PROTECTION FOR INTERVENTIONALISTS

### THE PROBLEM

For decades, interventionalists and their teams have relied upon lead aprons for protection against the scatter radiation prevalent in the cath lab. But over time, the weight of those aprons can cause long-term orthopedic injuries that are often debilitating.

### THE SOLUTION

Rampart's fully adjustable and portable M1128 system provides proven, full-bodied, radiation protection for doctors as well as their technicians without the need for heavy lead aprons.\* This revolutionary technology not only provides freedom and ease of movement, but it eliminates the physical wear-and-tear of wearing lead.

\*When used as directed with under-table radiation protection

### THE BEGINNING

As one of the highest-volume Interventional Cardiologists in the country, Dr. Bob Foster has been wearing lead vests almost every day for 20 years. And, much like the 60% of interventional cardiologists who suffer from work-related back issues, that burden finally took its toll.\*

Bob, a triathlon runner in peak physical health, suffered a ruptured disk, causing him to miss a month of work. After returning from that injury, he suffered another ruptured disk, causing a month-long paralysis in one leg, three months of missed work and two years out of the cath lab.

That's when Dr. Foster decided it was time to do something about the literal burden being placed on interventionalists. Drawing from his experiences, Dr. Foster, along with a team of designers and engineers, created Rampart with a singular goal in mind—to provide comprehensive, apron-free protection, so interventionalists and their teams can continue to do what they do best, longer than ever before.

\*Goldstein JA, Balter S, Cowley M, Hodgson J, Klein LW. Occupational hazards of interventional cardiologists: Prevalence of orthopedic health problems in contemporary practice. *Catheter Cardiovasc Interv* 2004;63:407-411.

## IT'S TIME TO CHANGE THE WAY YOU WORK. FOR GOOD.

### How it Works:

The M1128 is a portable radiation shielding system that attenuates radiation scatter using a combination of lead-equivalent acrylic panels and soft shielding designed to protect both the physician and team members.

#### KEY FEATURES:

- ▶ 22mm thick acrylic panels with a pure lead equivalence of 1mm
- ▶ Panel adjustments allows for different physician and technician heights, patient girth, and a variety of different procedure configurations
- ▶ Adjustments are aided by electronic motors equipped with rechargeable battery pack
- ▶ Sturdy base mounted on lockable, smooth-rolling, casters for efficiencies in emergent situations, quicker set up, convenient storage, and overall smaller cath lab footprint
- ▶ Sterile drape kit that includes 4 separate drapes, designed and easily labeled, for faster and easier set up and cleaning
- ▶ All panels fold up for easy storage and minimal cath lab footprint

#### KEY BENEFITS:

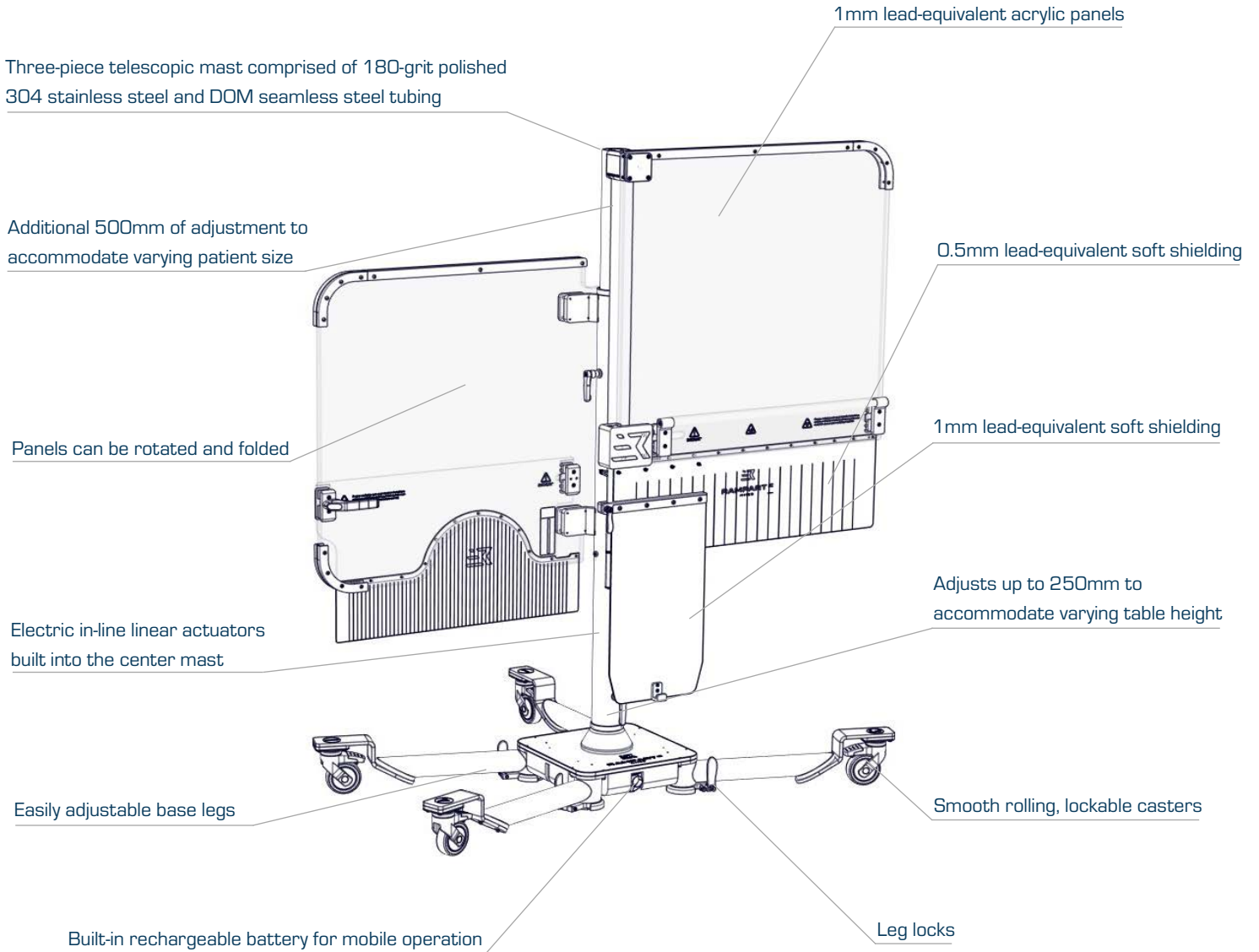
- ▶ Eliminates the need for heavy lead aprons for the physician and team
- ▶ Full-body radiation coverage when combined with the use of under-table radiation protection
- ▶ Radiation protection extends from the right of the operator to the foot of the table
- ▶ Allows for longer and more complex procedures
- ▶ Increases potential for longer careers with the elimination of the apron
- ▶ Potential for fewer work days missed and worker's comp claims filed
- ▶ Does not isolate the physician from their team or limit mobility



#### LET'S TALK:

To learn more about Rampart, please visit [RAMPARTic.com](https://www.RAMPARTic.com). For ordering and pricing information, please submit the form on our Contact page.

**GAIN THE PROTECTION.  
SHED THE LEAD.**



**Total assembled weight: 325 lbs (148 kg)**

**Important Risk Information:** RAMPART ic M1128 can only offer radiation protection when used properly, according to the guidelines above including those found in our User Guide. Improper use of the device can lead to cross contamination and potential infection. Improper handling, transit, and configuration of the system can result in personal injury or property damage. For additional information, please refer to the User Risk Info page on our website: <https://www.rampartic.com/user-risk-information>

## WHAT RAMPART USERS ARE SAYING



**Dr. Bill Lombardi**

Interventional Cardiologist

“Wearing no lead has been the most transformative thing in interventional cardiology since I saw my first retrograde case in 2005.”



**Dr. Didier Tchetché**

Interventional Cardiologist

“I use Rampart during complex TAVI, MitraClip and CTOs, because it protects me and my team from radiation and supports our orthopedic health.”



**Dr. Rhian Davies**

Interventional Cardiologist

“Rampart has allowed my team the freedom to do challenging coronary cases without wearing lead. It protects my joints and back from the damage of wearing lead day to day, and helps prevent development of devastating health concerns in the future.”



**Dr. Richard Sohn**

Interventional Cardiologist

“I have been doing heart procedures for over twenty years. To do my first procedure ever without having to wear lead feels really liberating. I feel both lighter and more energetic.”



**Dr. Steve Hao**

Cardiac Electrophysiologist

“We have used Rampart over the last year in over 400 ablations. Rampart will prolong my career by providing full radiation coverage for myself and my staff without physical wear and tear associated with wearing lead.”



**Steve Steuterman**

Medical Physicist

“Rampart is a great addition to our cath lab team’s radiation safety program. Our surveys show that the radiation protection is equivalent or better than standard lead protection, and the orthopedic benefits will be significant.”

## CONTACT US

To learn more about Rampart, please visit [RAMPARTic.com](https://RAMPARTic.com).  
For ordering and pricing info, please submit a form on our Contact page.

**RAMPART**  
1500 Urban Center Drive  
Suite 140  
Birmingham, AL 35242  
United States

Office: +1 205-236-3000  
Service: +1 833-978-0052  
[info@RAMPARTic.com](mailto:info@RAMPARTic.com)  
[orders@RAMPARTic.com](mailto:orders@RAMPARTic.com)

